

DROPPED OBJECT

Reporting & application review

22.08.2016

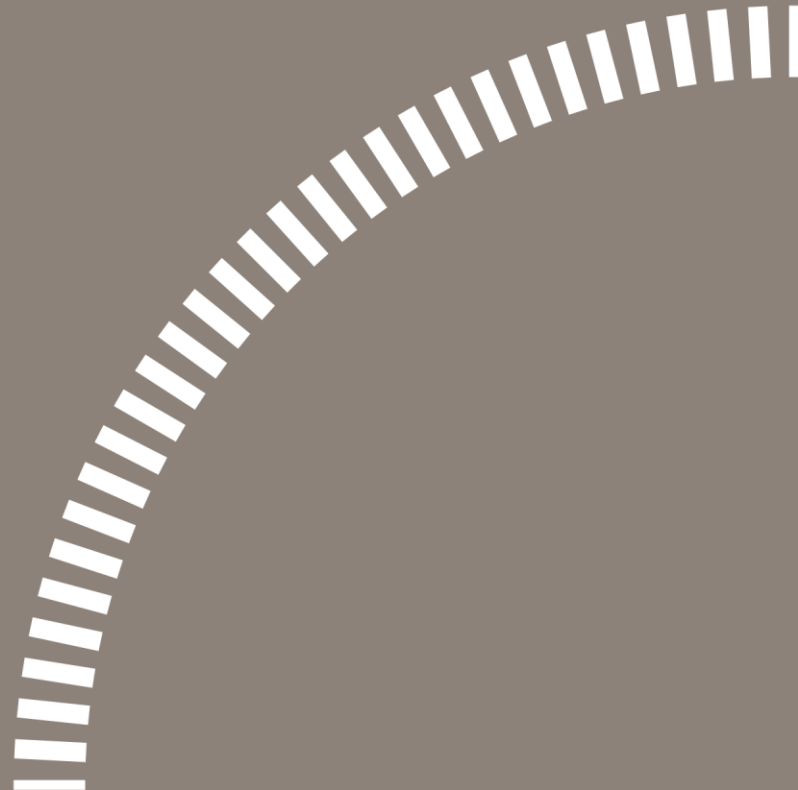


Agenda

- DROPS REPORTING
 - Trend in Customer Reports
 - Reported Dropped Object Structure

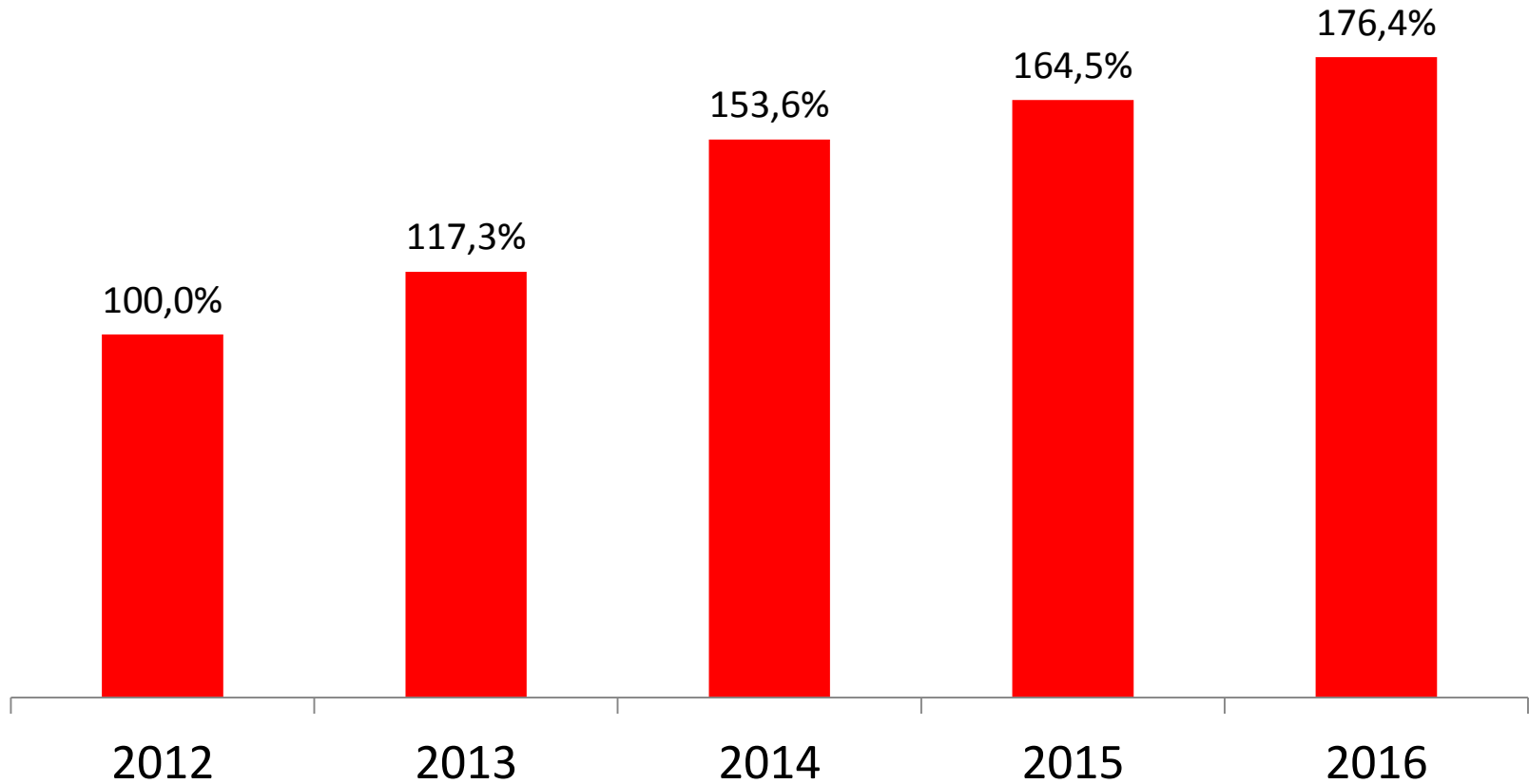
- SPLIT PIN APPLICATIONS AND ALTERNATIVES
 - Split pins application examples
 - Alternatives for frequent use

REPORTING

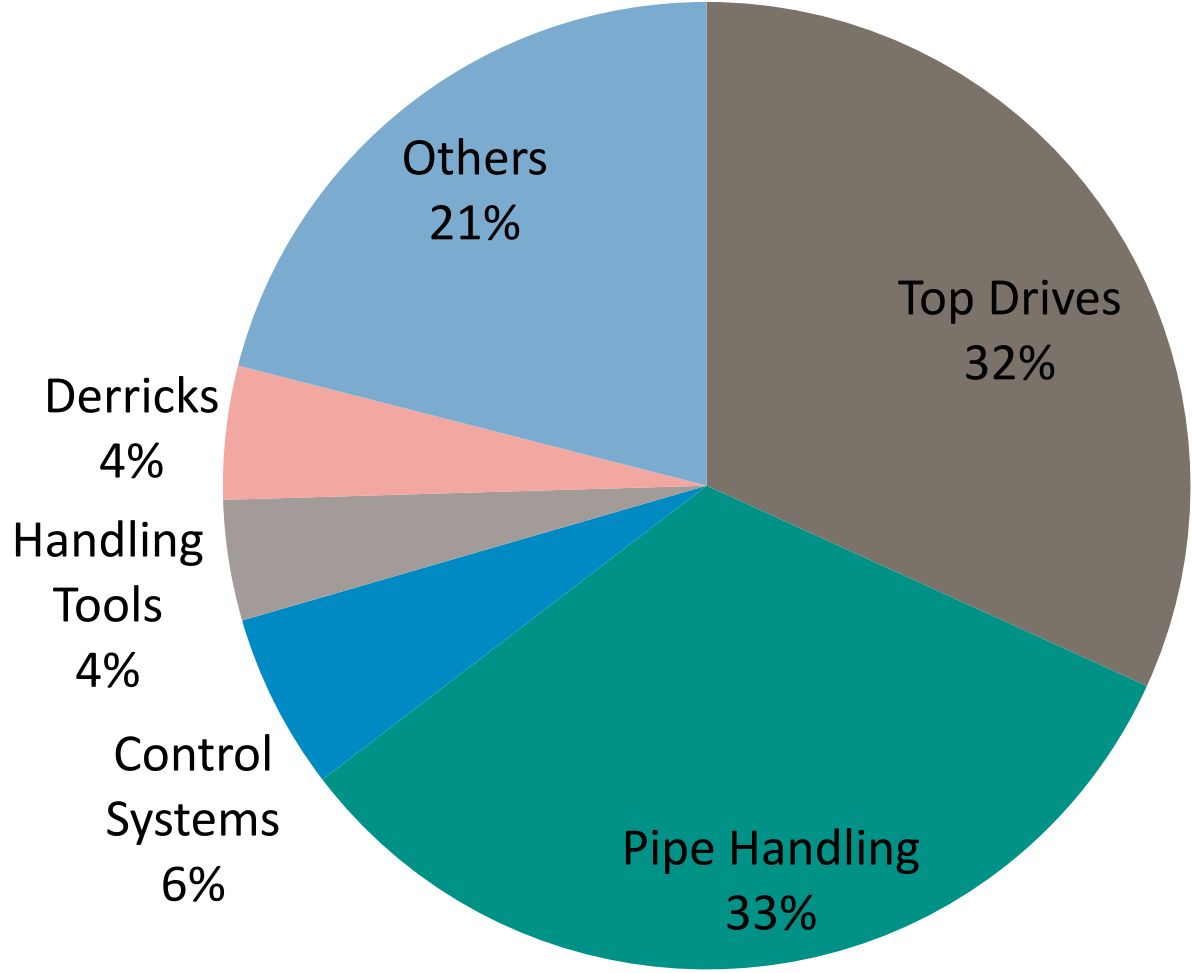


DROPS REPORTING

Increase in Customer reporting HSE DROPS Incidents



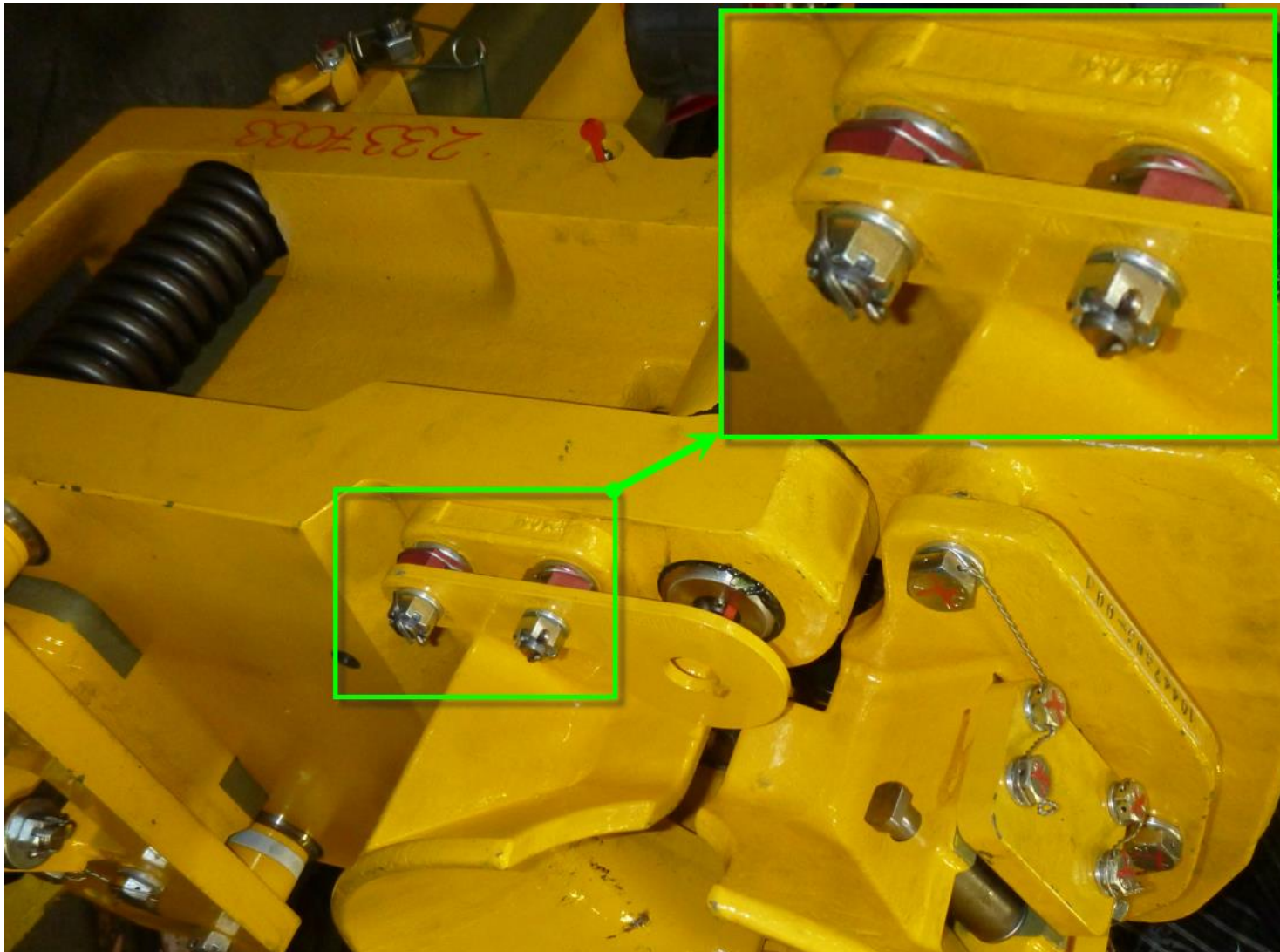
INCIDENT PERCENTAGE SPLIT PER PRODUCT GROUP



SPLIT PIN APPLICATIONS AND ALTERNATIVES



SPLIT PIN APPLICATION EXAMPLES



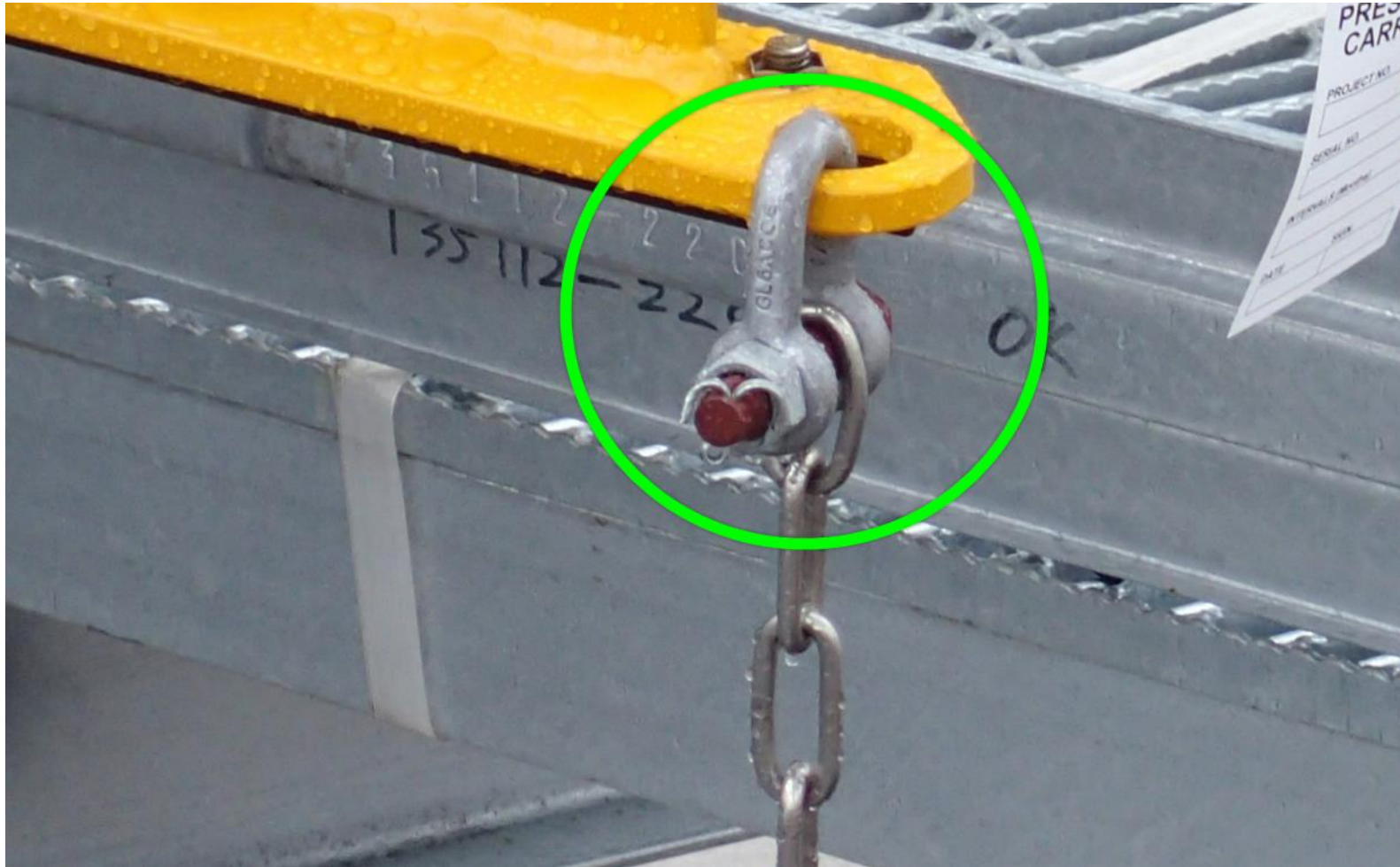
SPLIT PIN APPLICATION EXAMPLES



SPLIT PIN APPLICATION EXAMPLES



SPLIT PIN APPLICATION EXAMPLES



SPLIT PIN ALTERNATIVES



SPLIT PIN ALTERNATIVES



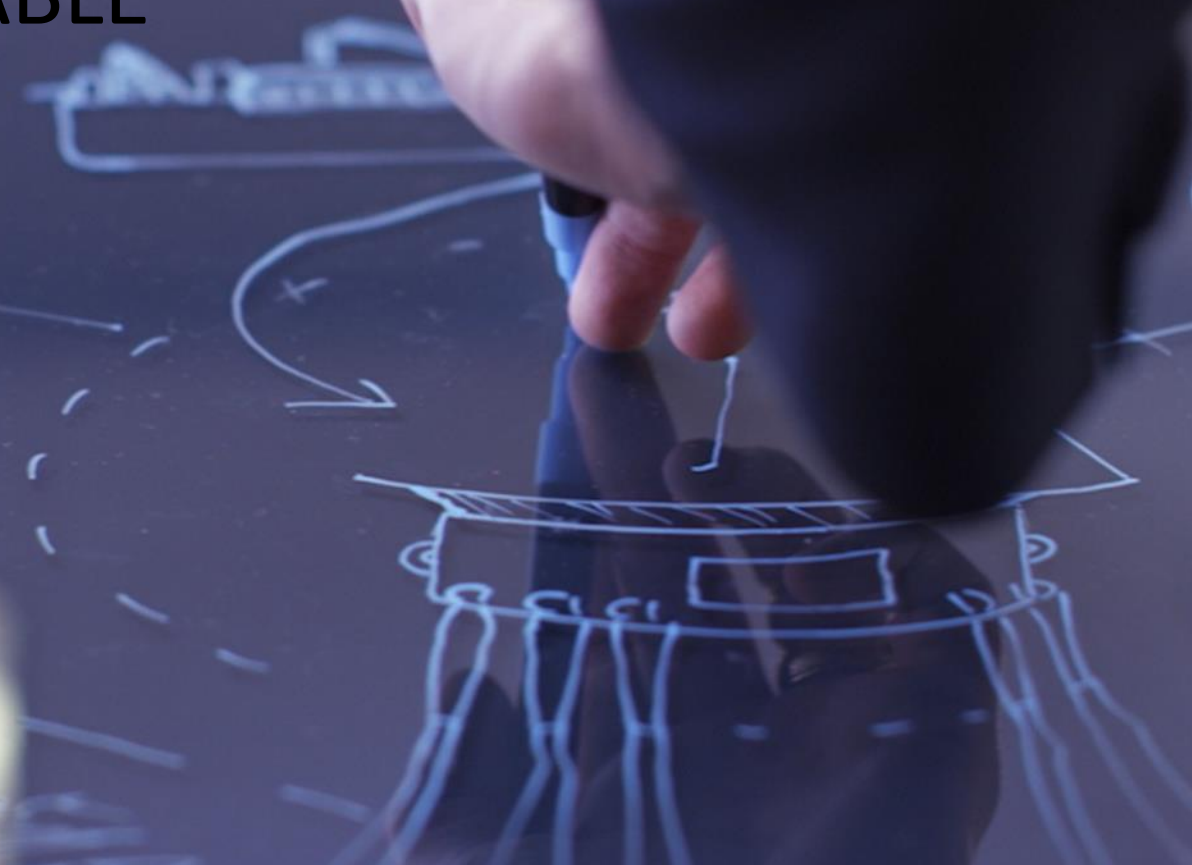
SPLIT PIN – EASY TO SUBSTITUTE ?



NEW CONCEPT:

DROPS «PROOF»
USER FRIENDLY
RETROFITABLE

stuff
that innovation
family
above all



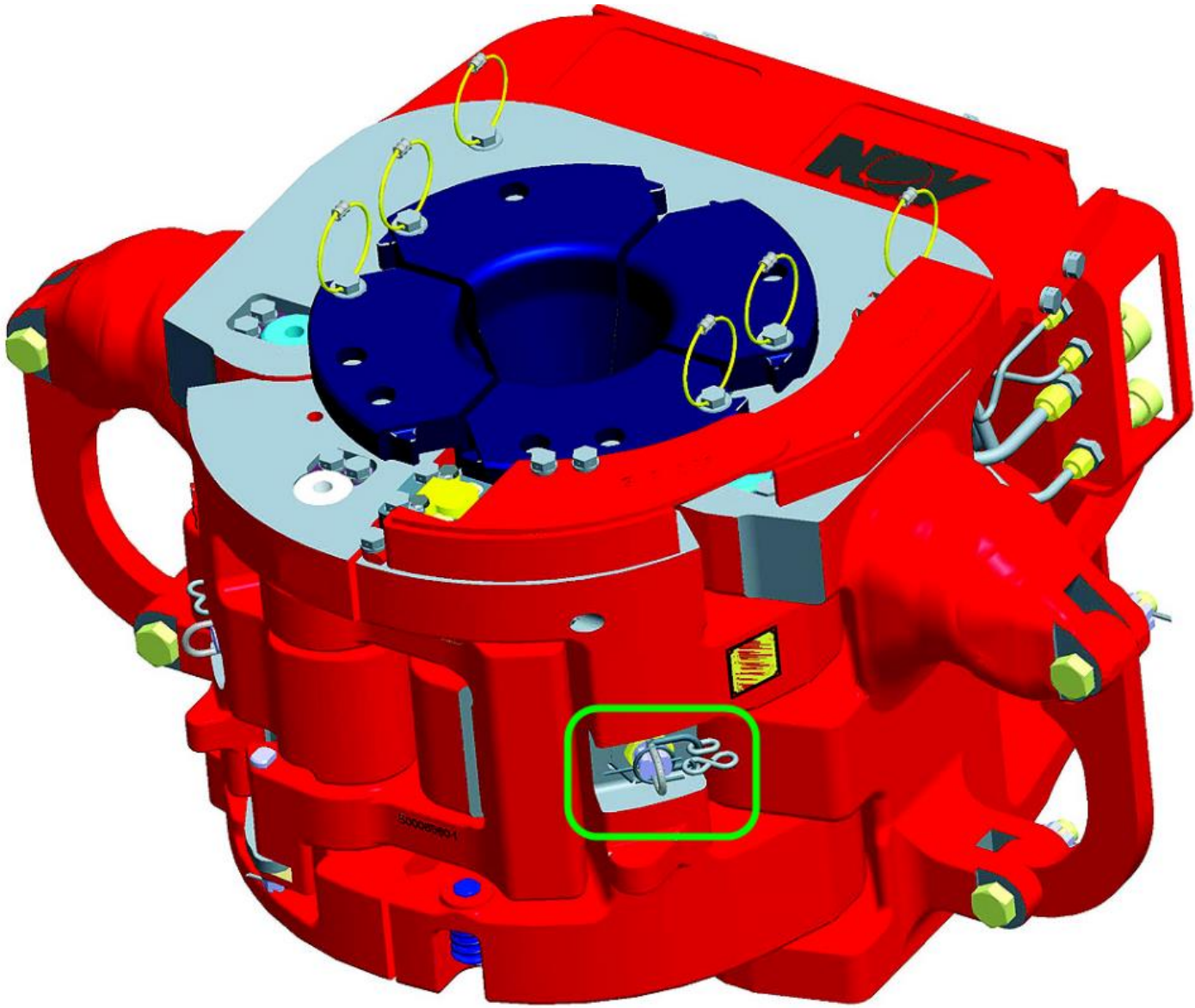
COTTER RING



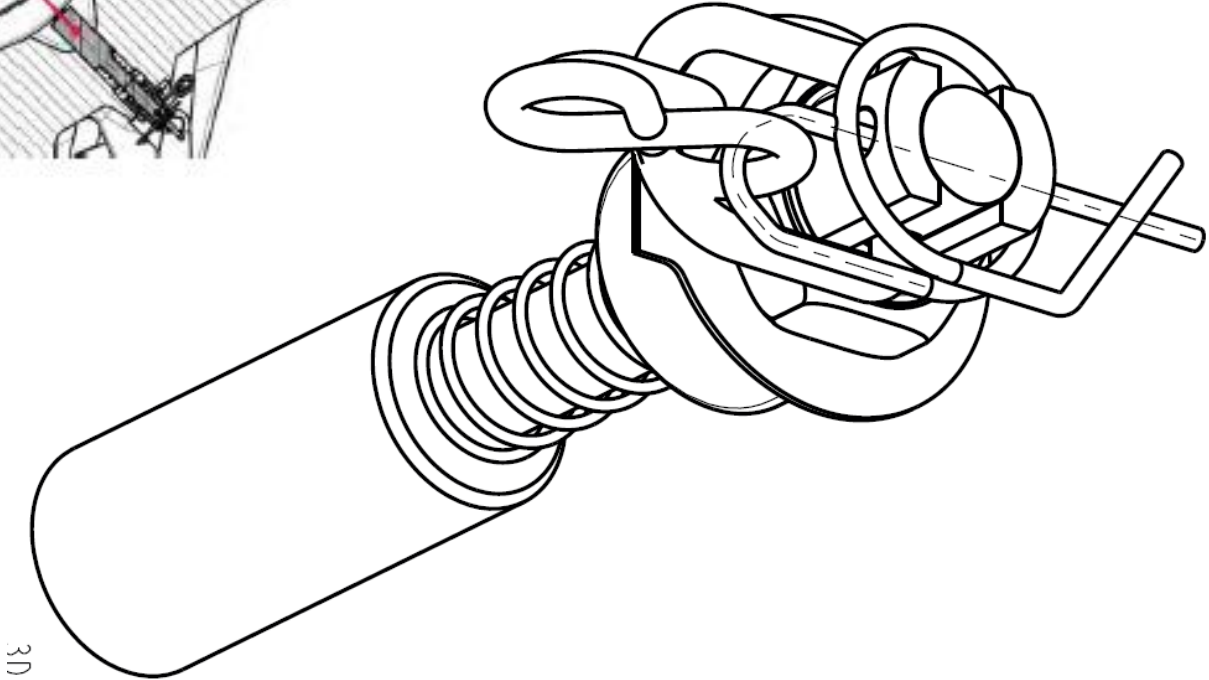
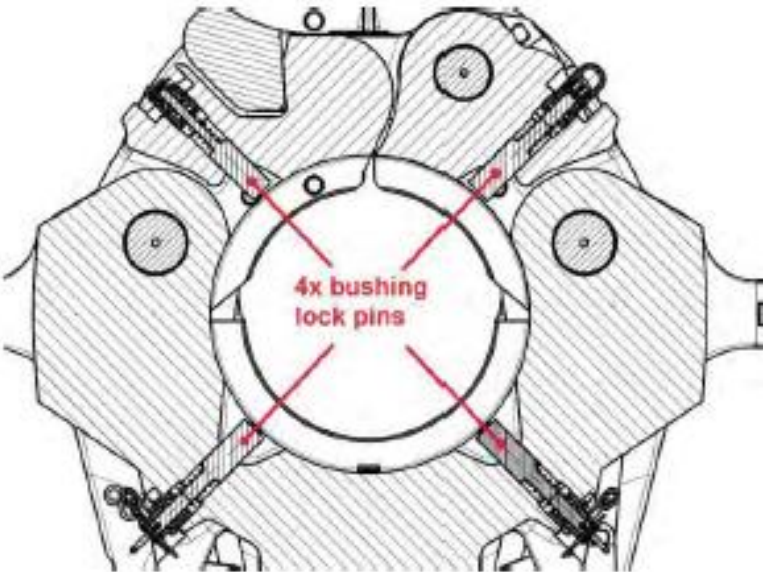
COTTER RING-NOV KIT



COTTER RING-APPLICATION EXAMPLE

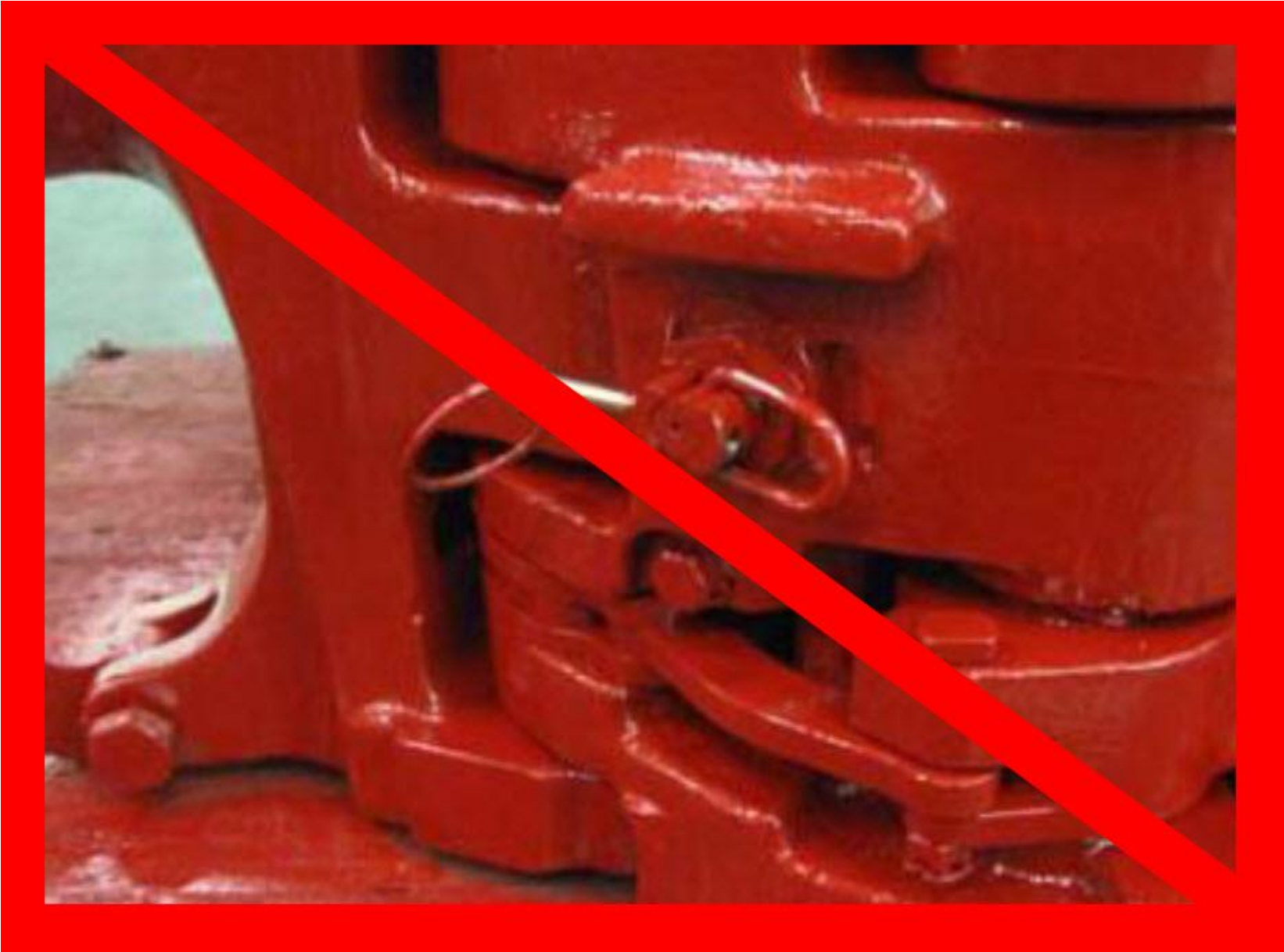


COTTER RING-APPLICATION EXAMPLE



3D

COTTER RING-APPLICATION EXAMPLE



COTTER RING-APPLICATION EXAMPLE



COTTER RING-APPLICATION EXAMPLE



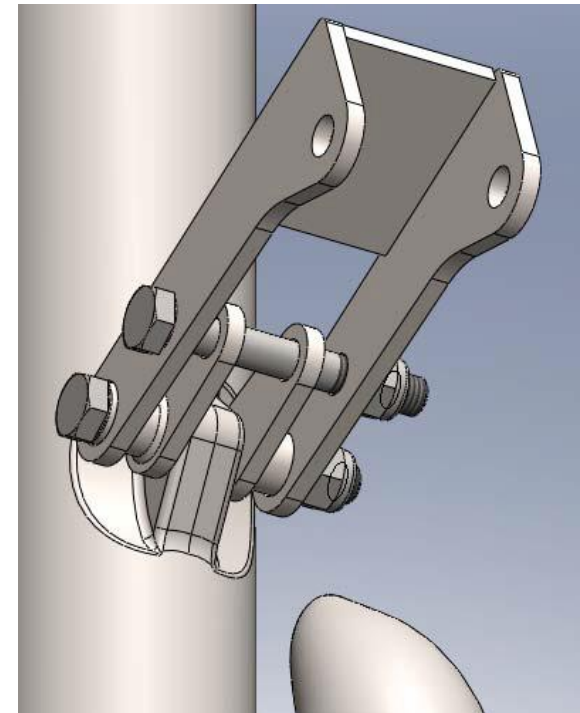
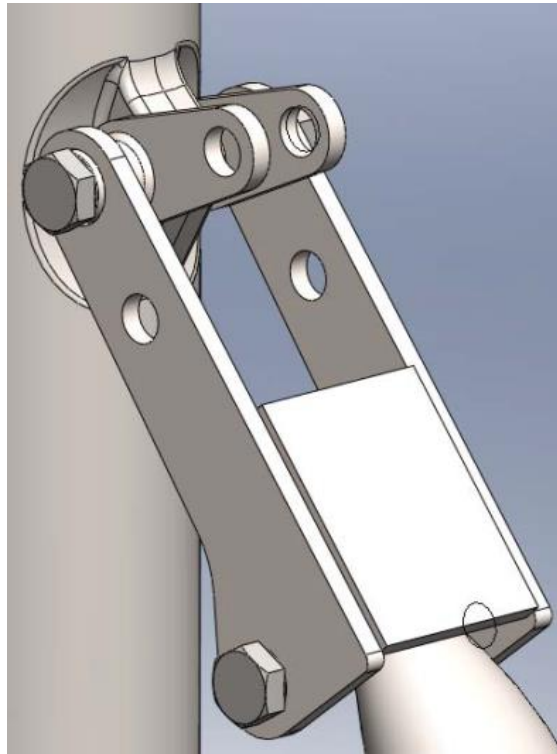
COTTER RING-APPLICATION EXAMPLE



BALL LOCK PIN



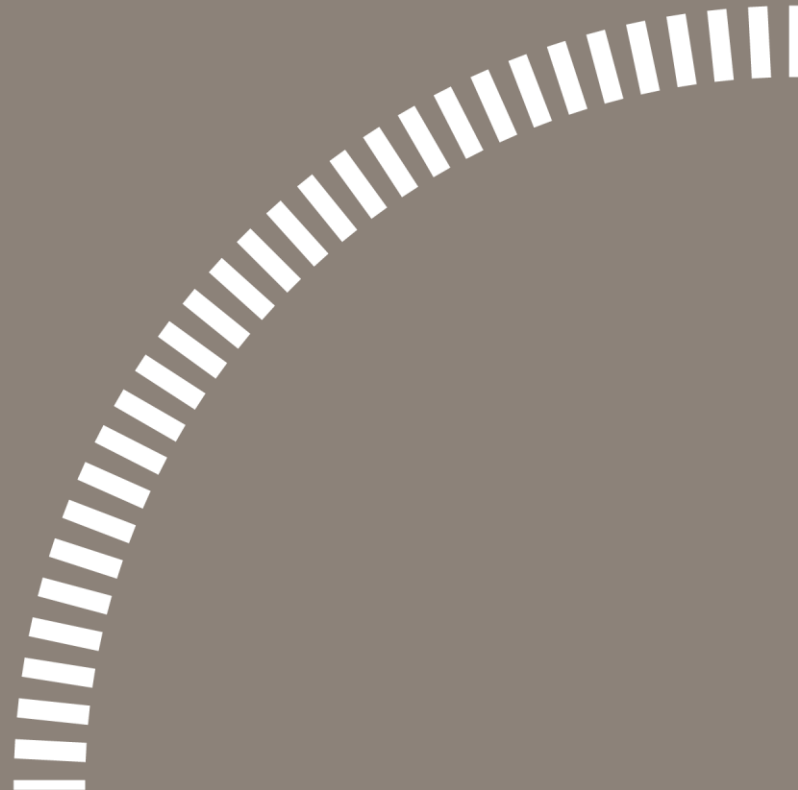
BALL LOCK PIN – EXAMPLE OF (POSSIBLE) APPLICATION



BALL LOCK PIN – EXAMPLE OF (POSSIBLE) APPLICATION



QUESTIONS & COMMENTS





Łukasz Szadkowski
lukasz.szadkowski@nov.com
DROPsteam@nov.com